

klik.LDS
Lighting distribution system



Dear Friends and Partners,

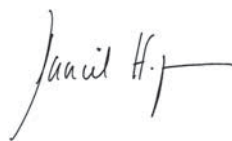
We are pleased to present the klik catalogue 2012.

Hager stands for sustainability and our E3 Initiative is an excellent example of this. Fully aware of our responsibility to both society and the environment, we are proud to make a contribution to the better use of the limited available resources. It is a belief that plays a vital role in all our new developments. The three Es, by the way, stand for the categories of "ethics, environment and eco-efficiency". And behind each category there is an actual catalogue of measures to which Hager is expressly committed, measures including: the United Nations Global Compact initiative, which the Hager Group joined in 2007; and the environmental standard ISO 14000, to which most of our sites are already certified to. In this respect, ecological development and production technologies are given as much careful consideration as to the products themselves that make a contribution to make better use of the resource electricity.

Innovation, customer proximity, simplicity and reliability are the very basis of the Hager brand. We keep in close contact with our customers, regularly surveying their wishes and needs before incorporating that feedback into the development of our new systems. The same applies to this catalogue which we have designed for you as a practical tool.

Why not have a browse and find out for yourself?

Best regards,



Daniel Hager



The partner for smart solutions you can trust

Hager is a full-range supplier of electrical installation systems for building, residential and commercial properties. For decades, Hager has been synonymous with an extensive and complete offering. Highest quality, cutting-edge products, modularity, ease of installation, ease of use, excellent service and sophisticated design are the features that distinguish Hager.

Hager: a brand meeting your expectations

As a specialist in

- power distribution,
- cable management and room connection systems,
- switch programmes and smart building automation as well as safety technology such as alarm systems, smoke detectors and motion detectors.

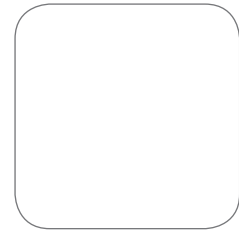
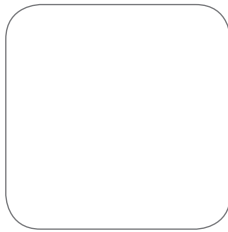
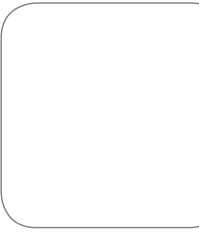
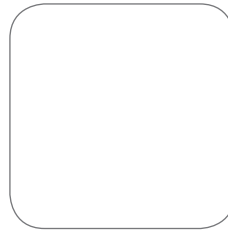
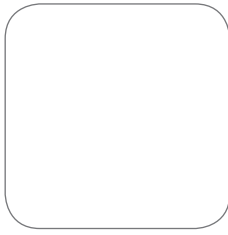
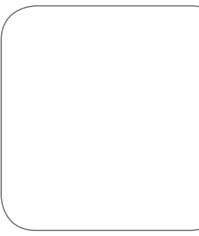
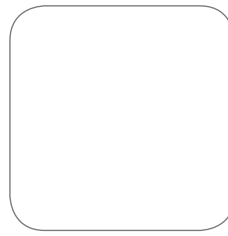
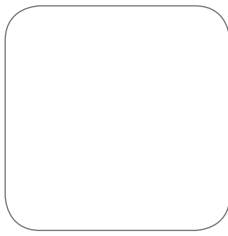
Hager the supplier for professionals – is a synonym for top quality and innovative technology, as well as good customer relations and reliability. All of which make Hager the partner for smart solutions, you can trust.

New ideas for customers' benefit

Innovations and the systematic enhancement of the products and systems are key features of the Hager brand. It has always been our goal to use new designs and improvements to stay ahead of developments.

The use of innovations and new technologies at Hager is always customer-driven. Every year, Hager evaluates thousands of customer contacts, resulting in detailed knowledge of its customers' needs in order to work efficiently and successfully. Based on this knowledge, Hager develops the innovative solutions that are so characteristic for the Hager brand. Ease of installation, ease of use, intuitive user interfaces, modularity and durability are brand values that guarantee highest quality throughout in Hager systems.

80 per cent of Hager products and systems are younger than five years. This high degree of innovation enables the users to meet various new challenges effectively. The strong demand for innovations and enhancements is a good indicator for the customer-oriented policy of the Hager brand also resulting in a high turnover at wholesalers.



A flourishing group

Hager belongs to the Hager Group, which is a family owned business with a more than fifty-year tradition. As a global player, the company has about 11,240 employees and a turnover of more than 1.55 billion Euro in 2011. Today, the Hager Group offers more than 74,000 items.

Hager regional support Middle East operations

With an objective of offering technical and commercial support to our customers in the Middle East and Near East regions, Hager Group set up its 100% owned subsidiary, Hager Middle East FZE, at Jebel Ali Free Zone in 1997.

Today, Hager Middle East has a strong commercial team with expertise in sales & marketing, product management, logistics, customer service and finance. Hager Middle East has regional representation in Saudi Arabia, Kuwait and Qatar.

www.hager.ae

klik.LDS

Convenient and versatile

With the klik connector system, luminaires can be plugged in, in seconds, with absolute safety, and without circuit isolation. All live contacts are inaccessible and the earthing connection is made before any other.

The non-wander design prevents disconnection of the plug from its socket by vibration or snatch withdrawals.



Marshalling Boxes	08
6 Amp Plug-In Ceiling Rose & Cover	09
6 Amp Lighting Trunking Socket with Clamp	10
6 Amp Plugs	10
6 Amp Socket Outlets	11
Pre-Wired 6 Amp Plug-In Ceiling Roses	12
Pre-Wired 6 Amp Plug	12
klik.AX 6 Amp Plug-In Ceiling Roses & Covers	13
klik.AX 6 Amp Plugs	14
klik.AX 6 Amp Socket Outlets	15
klik.AX Pre-Wired 6 Amp Plug-In Ceiling Roses	16
klik.AX Pre-Wired 6 Amp Plugs	16
Moulded Mounting Boxes	17
IP66 Outdoor Enclosure	17
Time Adjustable Occupancy Sensors	20
klik.system	22

KLDS

Marshalling boxes

Plug-in convenience and versatility for lighting.

It is a unique modular plug and socket interface that provides simultaneous mechanical and electrical connection in one click-in action.

Luminaires can be plugged in, in seconds, in absolute safety, without circuit isolation. All live contacts are inaccessible and the earthing connection is made before any other.



The advantages for you:

- Quick and easy plug-in convenience.
- Simultaneous mechanical and electrical connection in a single klik action. Earthing connection is made before any other.
- Klik exceeds the relevant British Standard requirements and enables compliance with IEE Wiring Regulations and Safety Regulations.

Technical data:

- Complies with BS5733.
- Main terminal capacity 5 x 4mm².
- Flexible conductor capacity 1 x 1mm².
- Main terminals rated 16 Amp, each socket outlet rated 6 Amp, flexible conductor terminals rated at 10Amp.
- Aluminium extruded body.
- All socket outlets factory connected and tested.

Expert tips

1



Suspended

Klip can be hung from the ceiling suspension system via drop rod and Caddy Clips™. Caddy clip is a registered trade mark of Erico Europa (GB) Ltd

2



Terminal cover

Compact dimensions allow for installation in confined ceiling voids. The terminal cover easily slides off from the front facilitating KLDS usage in confined spaces.

3



Socket outlets

Each socket outlet will accept 3 or 4 pin plugs.

4



Dual switching

Single or dual switching capability can be selected via a copper link. Use of this link will switch all outlets as one circuit or remove it to control two lighting circuits from one LDS unit.

5



Terminal blocks

A separate terminal block is provided for connection of flexible cords. In line with wiring regulations large barriers between terminals provide segregation.



Occupancy Sensor

Use klip with occupancy sensors for enhanced control.

- Complies with BS 5733.
- Main terminal capacity 5 x 4mm².
- Flexible conductor terminal capacity 1 x 1mm².
- Main terminals rated 16 Amps. Each socket outlet rated 6 Amps. Flexible conductor terminals rated at 10 Amps.
- All socket outlets factory connected and tested.
- Aluminium extruded body.
- All plastic 'V0' rated.
- Socket outlets accept either klik lighting (3 pin) plugs, klik AX (4 pin) plugs and klik pre-wired leads.
- Cable entries will accept 20mm or can be drilled out to 25mm.
- Self-retained cover screw.

Designation	No. of outlets	Dimensions hxwx d(mm)	Pack Qty.	Cat.ref.
Marshalling boxes	4	222 x 238 x 73	1	KLDS4
	6	222 x 288 x 73	1	KLDS6
	8	222 x 338 x 73	1	KLDS8
	10	222 x 388 x 73	1	KLDS10
	12	222 x 438 x 73	1	KLDS12



KLDS6



KLDS8



KLDS10



KLDS12

- Complies with BS 6972 and BS 5733
- PCR2000 plug cat. ref. P22, socket cat ref. S27 and Cover, cat. ref. A1
- PCR2000 provides loop-in terminal bank wiring within integral surface mounting socket base
- PCR2000 base terminals accepts 2 x 4mm² conductor.
- 6 Amp 250V A.C
- Sockets have 4 terminations: live, neutral, earth and loop-in
- Plugs have 3 terminations: live, neutral and earth
- Static loading - 5kg maximum
- Fixing: 50.8mm Standard Diagonal (BESA)



PCR2000

Designation	Dimensions	Pack Qty.	Cat.ref.
6 Amp ceiling rose with white cover	75mm diameter x 44mm, 7mm back projection	10	PCR2000



A1



A1/R

Designation	Dimensions	Pack Qty.	Cat.ref.
6 Amp ceiling rose cover - white	75mm diameter x 44mm	10	A1
6 Amp ceiling rose cover - red	75mm diameter x 44mm	10	A1/R

- Complies with BS 6972 and BS 5733
- The klik lighting S26/TC socket is an S26 architrave socket pre-assembled with a trunking clamp
- Fast and easy installation of sockets, that have been prewired at bench level, into return edge trunking
- Designed to fit 50mm x 50mm return edge trunking profiles
- This product may not be suitable for all installations. Suitability should be checked prior to commencing work



S26/TC

Designation	Dimensions hxwxh (mm)	Fixing	Pack Qty.	Cat.ref.
6 Amp lighting trunking socket with clamp	86 x 33 x 6 7mm back projection	Via integral trunking clamp	10	S26/TC

6 Amp Plugs

- Complies with BS 6972 and BS 5733
 - Suitable for use with any klik lighting or klik AX socket and klik LDS
 - 3 pins and cord grip enable up to a 5kg load to be suspended by a flexible cord
 - P22 plug is supplied in plug-in Ceiling Rose, Cat No. PCR2000
 - Luminaire plugs are designed for incorporation by OEM's.
 - Plugs have 3 terminations: live, neutral and earth
 - Static loading when load suspended by flexible cord - 5kg maximum
- Warning**
Plugs must not be fitted on the supply side of any installation - they must be connected to the load / fitting / appliance side of the installation.



P22

Designation	Dimensions hxwxh (mm)	Fixing	Pack Qty.	Cat.ref.
3 Pin plug with cord grip and cover	57mmx25mmx 25mm	Lead	10	P22

- Complies with BS 6972 and BS 5733
- All suitable for use with any standard klik lighting plug
- S27 socket is supplied in plug-in ceiling rose, Cat No. PCR2000
- S27 socket will accept A1 cover
- 6 Amp 250V A.C



S20/MOP

Designation	Dimensions hxwx d (mm)	Fixing	Pack Qty.	Cat.ref.
3 socket module with panel mounting kit	54 x 28 x 13	Panel cut-out 58mm x 32mm	10	S20/MOP



S21

Ultra flush socket	86 x 36 x 1.5 10mm back projection	60.3mm standard vertical	10	S21
---------------------------	--	-----------------------------	----	------------

Architrave socket	86 x 33 x 6 7mm back projection	60.3mm standard vertical	10	S26
--------------------------	---------------------------------------	-----------------------------	----	------------

Round socket	74 dia x 7 7mm back projection	50.8mm standard diagonal (BESA)	10	S27
---------------------	--------------------------------------	---------------------------------------	----	------------



S28

Ultra flush round socket	86 dia x 1.5 10mm back projection	60.3mm standard vertical	10	S28
---------------------------------	---	-----------------------------	----	------------

- Complies with BS 6972 and BS 5733
- Comprehensive range of pre-wired klik lighting plugs and ceiling roses reduces on-site installation time and cost
- All leads have crimped ends to eliminate breakage, and minimise on-site cable preparation
- PVC flexible cord, complies with BS 6500
- Low smoke zero halogen flexible cord, complies with BS 6500 and BS 7211



PCR2000/1.0

Designation	Length (flexible cord)	Pack Qty.	PVC Cat.ref.	Low smoke zero halogen Cat.ref.
Pre-wired 6 Amp plug-in ceiling roses	1mtr 0.75mm ²	10	PCR2000/1.0	PCR2000/LSF/1.0
	2mtr 0.75mm ²	10	PCR2000/2.0	PCR2000/LSF/2.0
	3mtr 0.75mm ²	5	PCR2000/3.0	PCR2000/LSF/3.0
	4mtr 0.75mm ²	5	PCR2000/4.0	PCR2000/LSF/4.0
	2mtr 1.00mm ²	10	PCR2000/1.0PVC/2	PCR2000/1.0LSF/2
	3mtr 1.00mm ²	5	PCR2000/1.0PVC/3	PCR2000/1.0LSF/3
	4mtr 1.00mm ²	5	PCR2000/1.0PVC/4	PCR2000/1.0LSF/4
	5mtr 1.00mm ²	5	PCR2000/1.0PVC/5	PCR2000/1.0LSF/5

Pre-wired 6 Amps Pugs





P22/1.0



Designation	Length (flexible cord)	Pack Qty.	PVC Cat.ref.	Low smoke zero halogen Cat.ref.
0.75mm² flexible cord	1mtr 0.75mm ²	10	P22/1.0	P22/LSF/1.0
	2mtr 0.75mm ²	10	P22/2.0	P22/LSF/2.0
	3mtr 0.75mm ²	5	P22/3.0	P22/LSF/3.0
	4mtr 0.75mm ²	5	P22/4.0	P22/LSF/4.0
	2mtr 1.00mm ²	10	P22/1.0PVC/2	P22/1.0LSF/2
	3mtr 1.00mm ²	5	P22/1.0PVC/3	P22/1.0LSF/3
	4mtr 1.00mm ²	5	P22/1.0PVC/4	P22/1.0LSF/4
	5mtr 1.00mm ²	5	P22/1.0PVC/5	P22/1.0LSF/5

- Complies with BS 6972 and BS 5733
- **CR64AX**
Plug Cat ref. P64AXR
Socket Cat ref. S64AX
and Cover Cat. ref. A1

- **CR64AX/R**
Plug Cat ref. P64AXR
Socket Cat ref. S64AX
and Cover Cat ref. A1/R
- 6 Amp 250V A.C
- Sockets have 5 terminations:
live, neutral, earth, auxiliary
and loop-in.

- Plugs have 4 terminations:
live, neutral, earth and
auxiliary.
- Static loading when load
suspended by flexible cord -
5kg maximum.
- Fixing: 50.8mm standard
diagonal (BESA)

	Designation	Dimensions (mm)	Pack Qty.	Cat.ref.
 CR64AX	6 Amp 4 pin ceiling rose with white cover	74mm diameter x 44mm 7mm back projection	10	CR64AX
	6 Amp 4 pin ceiling rose with red cover	74mm diameter x 44mm 7mm back projection	10	CR64AX/R
 CR64AX/R				

	Designation	Dimensions	Pack Qty.	Cat.ref.
 A1	6 Amp ceiling rose cover - white	75mm diameter x 44mm	10	A1
	6 Amp ceiling rose cover - red	75mm diameter x 44mm	10	A1/R
 A1/R				

- Complies with BS 6972 and BS 5733
- Special purpose 4 pin plug, suitable only for use with klik AX sockets and klik LDS
- P64AXR plug as supplied in plug-in ceiling rose, Cat. No. CR64AX
- 6 Amp 250V A.C

- Plugs have 4 terminations: live, neutral, earth and auxiliary
- Static loading when load suspended by flexible cord - 5kg maximum when used with S64AX socket.

Warning

Plugs must not be fitted on the supply side of any installation - they must be connected to the load / fitting / appliance side of the installation.



P64AX/R

Designation	Dimensions hxwxh (mm)	Fixing	Pack Qty.	Cat.ref.
6 Amp 4 pin plugs - white with cord grip and cover	57 x 35 x 44	Lead	10	P64AX
6 Amp 4 pin plugs - red with cord grip and cover	57 x 35 x 44	Lead	10	P64AX/R

- Complies with BS 6972 and BS 5733
- Sockets suitable for use with any klik lighting or klik AX plug.
- All sockets have 5 terminations: live, neutral, earth, auxiliary and loop-in.
- For special purpose applications eg: emergency lighting.
- S64AX socket is supplied in plug-in ceiling rose, Cat ref. CR64AX.
- S64AX socket will accept A1 A1/R cover.
- S65AX supplied with M3.5 x 25mm fixing screws.

Designation	Dimensions hxwxh (mm)	Fixing	Pack Qty.	Cat.ref.
-------------	--------------------------	--------	-----------	----------



S60AX/MOP

Socket module with panel mounting kit	54 x 37 x 13	Panel cut out 58mm x 59mm	10	S60AX/MOP
--	--------------	---------------------------------	----	------------------



S64AX

Round socket	74 dia x 7 7mm back projection	50.8mm standard diagonal (BESA)	10	S64AX
---------------------	--------------------------------------	--	----	--------------



S65AX

Single gang square socket	86 x 86 x 9 5mm back projection	60.3mm standard horizontal	10	S65AX
----------------------------------	---------------------------------------	----------------------------------	----	--------------

- Complies with BS 6972 and BS 5733
- PVC flexible cord: BS 6500
- Low smoke zero halogen flexible cord: BS 6500 and BS 7211



CR64AX/1.0

Designation	Length (flexible cord)	Pack Qty.	PVC Cat.ref.	Low smoke zero halogen Cat.ref.
Pre-wired 6 Amp plug-in ceiling roses	1mtr 0.75mm ²	10	CR64AX/1.0	CR64AX/LSF/1.0
	2mtr 0.75mm ²	10	CR64AX/2.0	CR64AX/LSF/2.0
	3mtr 0.75mm ²	5	CR64AX/3.0	CR64AX/LSF/3.0
	4mtr 0.75mm ²	5	CR64AX/4.0	CR64AX/LSF/4.0
	2mtr 1.00mm ²	10	CR64AX/1.0PVC/2	CR64AX/1.0LSF/2
	3mtr 1.00mm ²	5	CR64AX/1.0PVC/3	CR64AX/1.0LSF/3
	4mtr 1.00mm ²	5	CR64AX/1.0PVC/4	CR64AX/1.0LSF/4
	5mtr 1.00mm ²	5	CR64AX/1.0PVC/5	CR64AX/1.0LSF/5

klik.AX
Pre-wired 6 Amp Plugs

- Complies with BS 6972 and BS 5733
- PVC flexible cord: BS 6500
- Low smoke zero halogen flexible cord: BS 6500 and BS 7211



P64AXR/1.0

Designation	Length (flexible cord)	Pack Qty.	PVC Cat.ref.	Low smoke zero halogen Cat.ref.
Pre-wired 6 Amp plugs - red plug	1mtr 0.75mm ²	10	P64AXR/1.0	P64AXR/LSF/1.0
	2mtr 0.75mm ²	10	P64AXR/2.0	P64AXR/LSF/2.0
	3mtr 0.75mm ²	5	P64AXR/3.0	P64AXR/LSF/3.0
	4mtr 0.75mm ²	5	P64AXR/4.0	P64AXR/LSF/4.0
	2mtr 1.00mm ²	10	P64AXR/1.0PVC/2	P64AXR/1.0LSF/2
	3mtr 1.00mm ²	5	P64AXR/1.0PVC/3	P64AXR/1.0LSF/3
	4mtr 1.00mm ²	5	P64AXR/1.0PVC/4	P64AXR/1.0LSF/4
	5mtr 1.00mm ²	5	P64AXR/1.0PVC/5	P64AXR/1.0LSF/5



P64AX/1.0

Pre-wired 6 Amp plugs - white plug	1mtr 0.75mm ²	10	P64AX/1.0	P64AX/LSF/1.0
	2mtr 0.75mm ²	10	P64AX/2.0	P64AX/LSF/2.0
	3mtr 0.75mm ²	5	P64AX/3.0	P64AX/LSF/3.0
	4mtr 0.75mm ²	5	P64AX/4.0	P64AX/LSF/4.0
	2mtr 1.00mm ²	10	P64AX/1.0PVC/2	P64AX/1.0LSF/2
	3mtr 1.00mm ²	5	P64AX/1.0PVC/3	P64AX/1.0LSF/3
	4mtr 1.00mm ²	5	P64AX/1.0PVC/4	P64AX/1.0LSF/4
	5mtr 1.00mm ²	5	P64AX/1.0PVC/5	P64AX/1.0LSF/5

- Complies with BS 5733
- To complement the range of klik products a selection of moulded mounting boxes is available for either flush or surface mounting
- For more arduous areas, 1 gang and 2 gang metalclad boxes have been adapted to take the klik socket interface.



MB2

Designation	Dimensions (mm)	Fixing	Pack Qty.	Cat.ref.
Round surface box	85 dia x 31	50.8mm standard diagonal (BESA)	10	MB2
Architrave Flush Box	80 x 29 x 20 (h x w x d)	60.3mm standard vertical	10	MB3/E

IP66 Outdoor Enclosure

- This product will provide an alternative to hard wiring external lighting connections
- Interfaces two AX 6 Amp sockets into a weather proof enclosure
- Fast connection during fit out.
- Suitable for use in arduous / wet environments.
- Quick and secure method for lighting connections in arduous areas.
- Complies with BS5733, BS EN 60529, BS EN 60670-1



WKAX2

Designation	Dimensions hxwxd (mm)	Pack Qty.	Cat.ref.
IP66 2 gang socket Optional padlock	140 x 155 x 90	10	WKAX2

Occupancy sensors

Standard and digital

The new occupancy sensor range

The Hager range of occupancy sensors detect infra-red radiation and ambient light levels to provide simple and cost effective means of lighting control.

This range of sensors should be mounted in the centre of the group of luminaires to be controlled and the optimum all round coverage is achieved with the unit mounted at a height of 2.5m. The coverage for these sensors at this height is approximately 5m diameter for small movement such as working at a desk, and 7m for larger movements such as walking.



The advantages for you:

- Digital switching capability, **up to 24 DSI or DALI ballasts.**
- Integral photocell allows for lighting control which can provide energy savings by not operating when sufficient natural light levels exist.
- Wide operating range to suit most commercial applications. Allows overrun of lighting to be customised to installation.
- Available pre-wired, reduces installation time on site and requirement for non-standard cable.

Technical data:

- Integral photocell 5 - 1000 lux
- Detection:
 - 5m high sensitivity detection, 7m motion detection
- Time out adjustment:
 - 2 min - 57 min with remote programmer
 - 1 min - 1 hour with potentiometer
- Pre-wired cable:
 - 3m 1.5mm² Low Smoke Zero Halogen for Relay model
 - 3m 0.75mm² Low Smoke Zero Halogen for Digital model

Expert tips

1



Integral Photocell

Automatic lighting control which can provide energy savings by not operating when sufficient natural light levels exist.

```
110011001110
010110001101
010110010000
011011110110
110011001110
```

Digital Switching

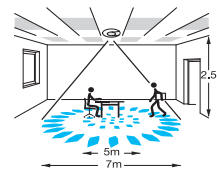
Up to 24 DSI or DALI ballasts.
Automatic detection of ballast type.

2



Potentiometers

Hidden behind a discreet sliding cover the potentiometers allow limited control of sensors.



Detection

High sensitivity detection will react to small movements, such as somebody working at a desk. Motion detection will react to larger movements, such as walking.

3



Lux setting via remote

Allows set point to be increased or decreased in 100 lux steps on digital light fittings from the EE807 remote programmer. Makes adjustment of photocell set point convenient.



EE807 Programming Tool

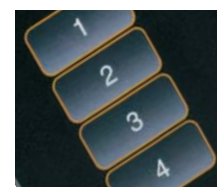
Programming tool is easy to use with 2 memory settings to enable repeatability.

4



Time out adjustment

Wide operating range to suit most commercial applications. Allows overrun of lighting to be customised to installation.



EE808 Remote Control

Comes with a wall mounting bracket for storage and allows room occupant to have control of lighting output.

- Presence detection mode: Allows lighting to be controlled ensuring that lighting is only energised when people are in the detection area.
- Absence detection mode: Requires lighting to be activated by a wall switch or remote control to switch lighting on. Lighting then remains on during presence and switches off after time out period from last presence detection. Offers potentially the best energy savings.
- Wall switch override allows lighting state to be changed between states or dimmed up and down on digital fittings.
- 5m high sensitivity detection will react to small movements, such as somebody working at a desk.
- 7m motion detection will react to larger movements, such as walking.
- Integral photocell 5 - 1000 lux. Lux setting can be increased and decreased in increments of 100 lux.
- EE807 programming tool is easy to use with 2 memory settings to enable repeatability.
- EE808 remote control comes with a wall mounting bracket for storage and allows room occupant to have control of lighting output.
- Time out adjustment: 2 - 57 mins with remote programmer. 1 min - 1 hour with potentiometer.
- Switching capability - relay Incandescent Halogen - 2300W. Halogen ELV via ferromagnetic or electronic transformer - 1500W. Compact Fluorescent - 23 x 23W. Parallel compensated fluorescent tubes - 1000W Fluorescent via electronic ballast - 1000W.
- Digital switching capability. Up to 24 DSI or DALI ballasts.
- Walk test mode.
- Factory presets: Lux = 400 Time = 20 min Test mode for 2 min.
- 3m 1.5mm² Low Smoke Zero Halogen for Relay model. 3m 0.75mm² Low Smoke Zero Halogen for Digital model.
- Can be flush mounted through a 60mm hole, utilises spring clips to ensure a fast and secure mounting method.
- All parts factory connected and tested.
- Time and photocell can be set by controller EE807 or potentiometer.



EE815

Designation	Pack Qty.	Cat.ref.
Standard occupancy sensor	1	EE815
Standard occupancy sensor, pre-wired 3m	1	EEK513W
Digital occupancy sensor	1	EE816
Digital occupancy sensor, pre-wired 3m	1	EEK523W
Surface mount kit	1	EEK005



EE807

Programming tool	1	EE807
Remote control	1	EE808



EE808

klik.system

Standard and digital lighting control



klik.system solutions

With klik.system, lighting can be controlled automatically depending on movement and the level of natural light. It can be used as a simple stand-alone system or as a part of more complex building management system and is an ideal choice for electrical contractors who want to add digital lighting control solutions to their offer. The product range encompasses of marshalling boxes, occupancy sensors and conduit box / surface connectors.

www.hager.ae

 **hager**

- Extruded aluminium body
- Allows connection and control of multiple luminaires.
- 7 pole
- 4, 6, 8, 10, 12 outlets
- 16A rated.
- BS 5733:2010
- Short circuit tested: 1500A conditional rating.

Designation

Cat.ref.



KLMB4W

4 way 7 pole marshalling box 16A	KLMB4W
6 way 7 pole marshalling box 16A	KLMB6W
8 way 7 pole marshalling box 16A	KLMB8W
10 way 7 pole marshalling box 16A	KLMB10W
12 way 7 pole marshalling box 16A	KLMB12W

klik.system
Luminaire Lead

- 1.0mm² CSA standard
- 3m and 5m lengths
- Standard, digital and emergency luminaires
- Factory connected and tested
- 6A rated
- BS 5733:2010
- BS EN 61535
- All leads are low smoke zero halogen.
- Short circuit tested: 1500A conditional rating.

Designation

Cat.ref.



Standard luminaire lead 3m 1.0mm ² 3 core LSOH	KLB/3/1W
Standard luminaire lead 5m 1.0mm ² 3 core LSOH	KLB/5/1W
Standard luminaire lead + Emergency 3m 1.0mm ² 4 core LSOH	KLJ/3/1W
Standard luminaire lead + Emergency 5m 1.0mm ² 4 core LSOH	KLJ/5/1W
Digital luminaire lead 3m 1.0mm ² 5 core LSOH	KLP/3/1W
Digital luminaire lead 5m 1.0mm ² 5 core LSOH	KLP/5/1W
Digital luminaire lead + Emergency 3m 1.0mm ² 6 core LSOH	KLT/3/1W
Digital luminaire lead + Emergency 5m 1.0mm ² 6 core LSOH	KLT/5/1W

* 0.75mm² & 1.5mm² CSA available on request

- Standard relay / digital.
- Digital sensors will automatically configure for DSI or DALI protocols.
- Can be programmed with the infra-red tool or potentiometers
- Pre-wired and pluggable directly into the marshalling box.
- Cables are low smoke zero halogen.
- Detection range 7m
- Standard: IEC 60669-2-1
- Rating 16A max.
- 5-1000 LUX photocell



Designation Cat.ref.

Standard relay sensor complete with 3m lead and plug LSOH	EEK513P
Standard relay sensor complete with 5m lead and plug LSOH	EEK515P
Digital relay sensor complete with 3m lead and plug LSOH	EEK523P
Digital relay sensor complete with 5m lead and plug LSOH	EEK525P
Programming tool	EE807
Remote control	EE808

klik.system
Conduit Box / Surface Connector

- 7 pole
- 16A rated
- Standards: BS 5733:2010
- Short circuit tested: 1500A conditional rating
- Allows easy connection of digital lighting within traditional fixed wire installations.
- Available as stand alone product or complete with a pre-wired lead.



KLPCR/7

Designation Cat.ref.

Conduit box / surface connector	KLPCR/7
Conduit box / surface connector with 3 core 3M 0.75mm² standard luminaire lead	KLPCR/B/3/0-75W
Conduit box / surface connector with 4 core 3M 0.75mm² standard luminaire lead	KLPCR/J/3/0-75W
Conduit box / surface connector with 4 core 3M 0.75mm² standard luminaire lead	KLPCR/P/3/0-75W
Conduit box / surface connector with 6 core 3M 0.75mm² standard luminaire lead	KLPCR/T/3/0-75W

Product Description	klik Product identification	BS number	Description
klik Lighting Distribution System	KLDS	BS 5733:1995	General Requirements for Electrical Accessories
Mounting Boxes	MB	BS 6972 : 1988	General requirements for Luminaire supporting couplers for domestic, light industrial & commercial use
Mounting Boxes	MP	BS5733 : 1995	General Requirements for Electrical Accessories
klik Ceiling Roses, Plugs, Outlets & Pre-Wired Leads	S, P, PCR	BS5733 : 1995 BS6972 : 1988	General Requirements for Electrical Accessories General requirements for Luminaire supporting couplers for domestic, light industrial & commercial use
IP66 Outdoor Enclosure	WKAX2	BS5733 : 1995 BSEN 60529 : 1992 BSEN 60670-1 : 2005	General Requirements for Electrical Accessories Degrees of protection provided by enclosures Boxes and Enclosures for Electrical Accessories for household and similar
PVC Flexible Cord	PVC	BS6500 : 2000	Flexible cords rated to 300/350V for use with appliances & equipment intended for domestic, office & similar environments.
LSF Flexible Cord	LSF	BS6500 : 2000 BS7211 : 1998	Flexible cords rated to 300/350V for use with appliances & equipment intended for domestic, office & similar environments.

Product Materials

klik plugs and sockets feature solid brass terminals and phosphor bronze contacts for good conductivity. Moulded components are manufactured from high quality thermoplastics.

klik Terminal Capacities

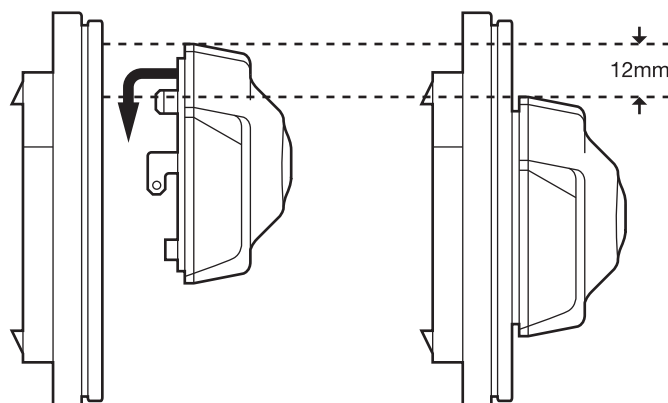
	Number of Conductors				
	0.75mm ²	1.0mm ²	1.5mm ²	2.5mm ²	4.0mm ²
Socket Outlets	-	5	4	3	2
Plugs P22, P64X, P26	1	1	-	-	-

Cables for klik Plugs

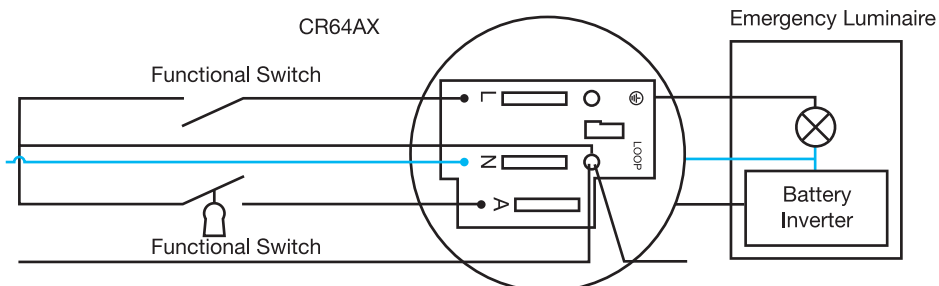
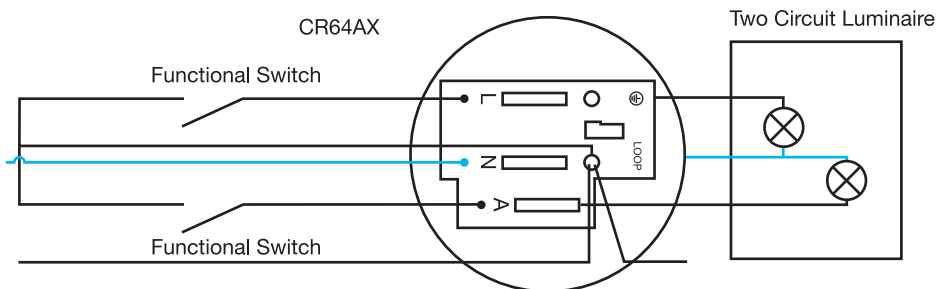
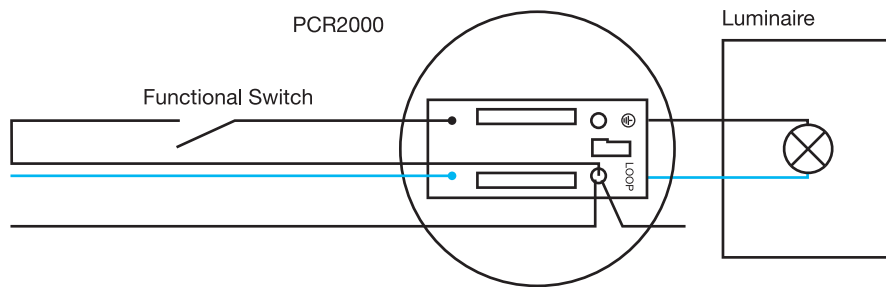
	0.75mm ² PVC / LSF 3 Core	0.75mm ² PVC / LSF 4 Core	1.0mm ² PVC / LSF 3 Core	1.0mm ² PVC / LSF 4 Cor
P22	Y	-	Y	-
P64AX	Y	Y	Y	Y

Application Notes

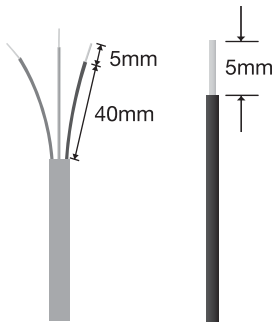
The mating face of each interface module must be mounted 0.1mm minimum proud of its proposed surround. Engaged plug sits centrally on socket but a minimum of 12mm extra clearance should be maintained north of the upper load grip to allow plug travel.



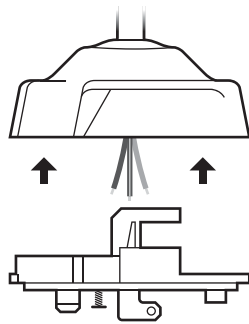
These wiring diagrams are typical examples of the applications shown.



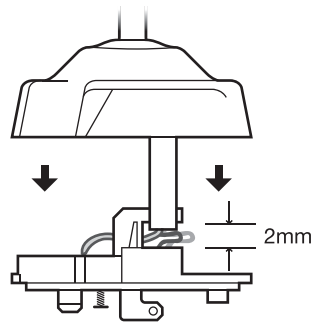
Note: Earth connections omitted for clarity



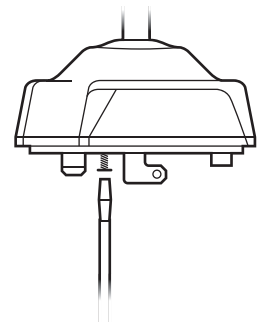
1. Strip cable as above -
Note: Trim cable tails to double over for better terminal contact.



2. Remove plug cover.
3. Pass cable through plug cover centre hole.



4. Terminate conductors into terminals.
5. Push outer sheath of cable firmly into jaws of sheath grip, making sure that at least 2mm of sheath protrudes below the grip.



6. Refit cover.

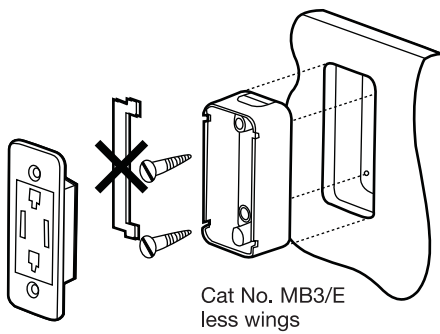
klik Mounting Box Installation

Cable entry through spout in base of box for maximum wiring space. Earth terminal.

MB2 knockouts in base and sides. Supplied with M4 x 20mm long fixing screws.

MB3/E is dual purpose box for flush mounting in solid or partition walls. Provided with mounting wings for partition use. Supplied with M3,5 x 20mm long fixing screws. Cable entry in one end. Earth terminal.

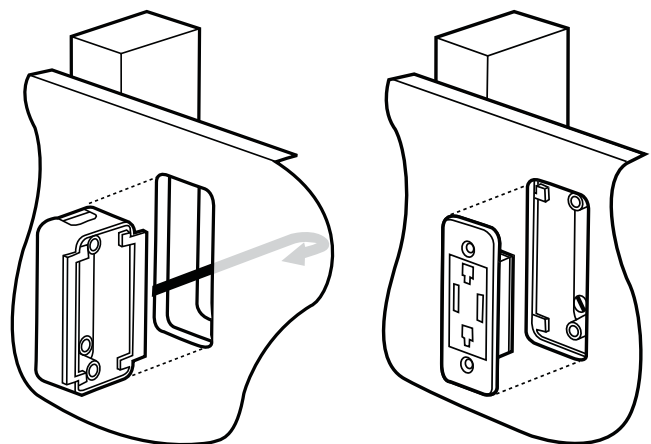
Flush Mounting for Solid Walls



Cat No. S21 or S121/BL

Flush Mountings for Partition Walls

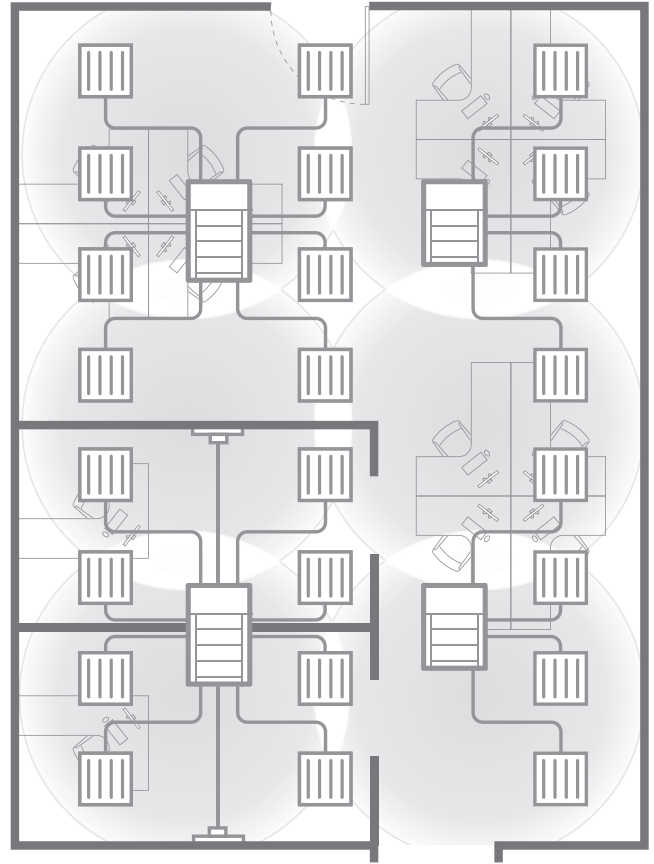
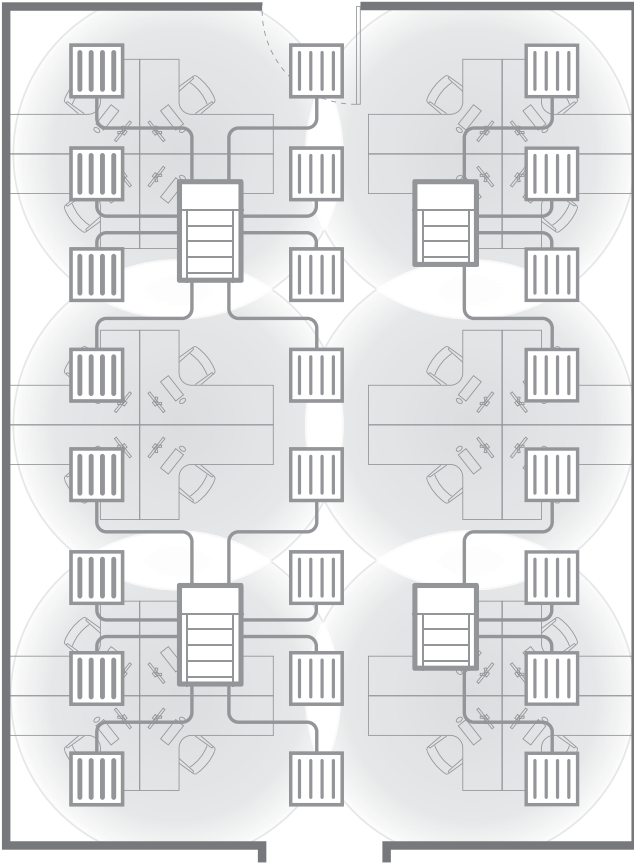
The mounting wings act as a flange, stopping the box from being pulled out of the partition.



Cat No. MB3/E

Typical lighting scheme utilising klik LDS 6 and klik LDS 8 way lighting distribution system for standard and emergency lighting. Also shown is an LDS 6 with only 4 luminaires connected leaving capacity for future connections.

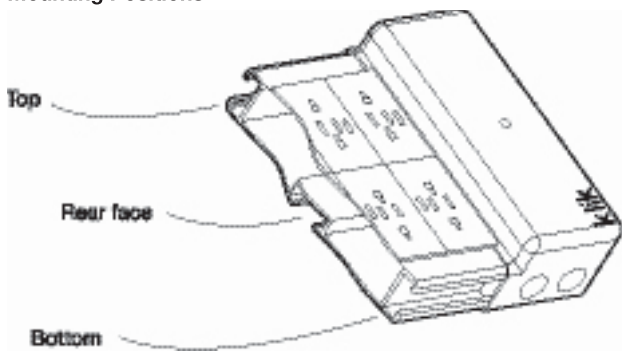
Office layouts are often changed requiring modifications to luminaire switching. This arrangement shows two different offices, each with 4 luminaires being supplied by a single klik LDS 8. Each office is separately switched from standard wall switches.



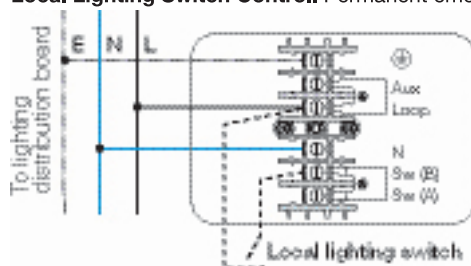
Mounting Methods

- Hanging from ceiling suspension system with Caddy Clips™
- Direct fixing to lighting trunking
- Direct fixing to ceiling or wall with No. 8 screws

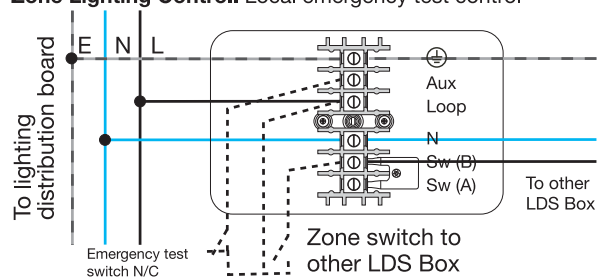
Mounting Positions



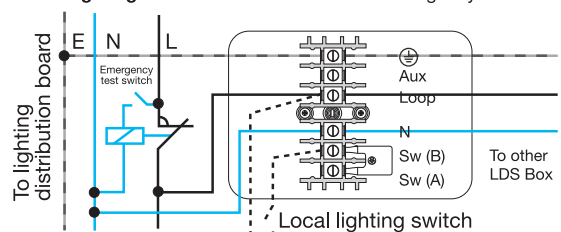
Local Lighting Switch Control. Permanent emergency feed



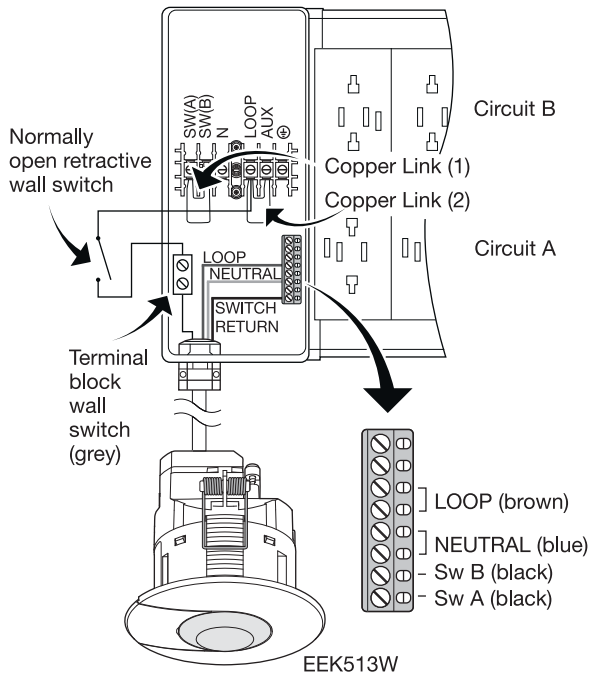
Zone Lighting Control. Local emergency test control



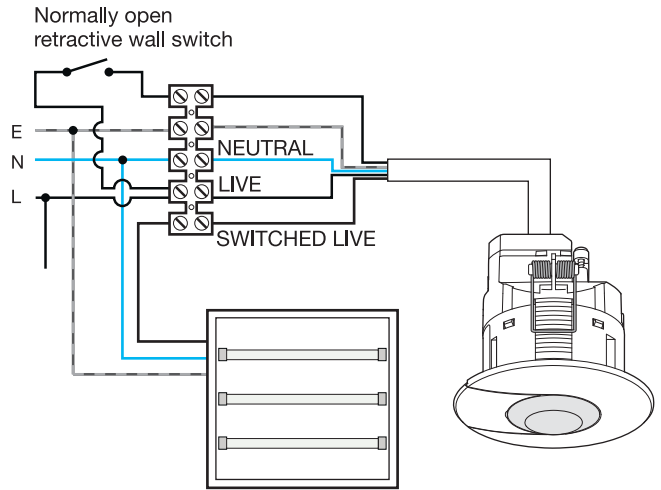
Local Lighting Switch Control. Centralised emergency test via keyswitch



klik.LDS with all ways switched by a single Hager EEK513W occupancy sensor



Connected directly to a single luminaire



Switch wire to be connected as required.

Warranty:

A warranty period of 2 years is offered on Hager products, from date of manufacture, relating to any material or manufacturing defect.

The warranty is withdrawn if:

After inspection by Hager quality control department the device is found to have been installed in a manner which is contrary to IEE wiring regulations and accepted practice within the industry at the time of installation.

An explanation of defect must be included when returning the goods.

Hager Electro S.A.S.
132, Boulevard d'Europe
B.P.3
67215 Obernai Cedex
France

Tel: +33 (0) 88 49 50 50
Fax: +33 (0) 88 49 51 44
www.hager.com

Hager Middle East FZE
P.O. Box 61056
Jebel Ali Free Zone, Dubai
United Arab Emirates

Tel: + (971) 4 8836 364
Fax: + (971) 4 8837 993
www.hager.ae

