

VE212

**Surface mounting enclosures with transparent doors**

1 to 4 rows from 2 to 48 ■  
1 to 3 rows from 18 to 54 ■

Adjustable DIN rail for shoulder measurement 47 and 63 mm, transparent hinged cover (2 to 10) or door (12 to 54), and 2 lateral knock outs for cable entry or coupling pieces. With premarked knock outs for bushes or cable glands M20, M25, M32, M40 and M50; delivered with loose cable bushes, colour : light grey RAL 7035 nominal voltage : U<sub>i</sub> 400V~ nominal current : 63A at 230/400V~

**IP65** IK07 < 12 ■  
IK08 > 12 ■





class II □

IEC 60 439-3

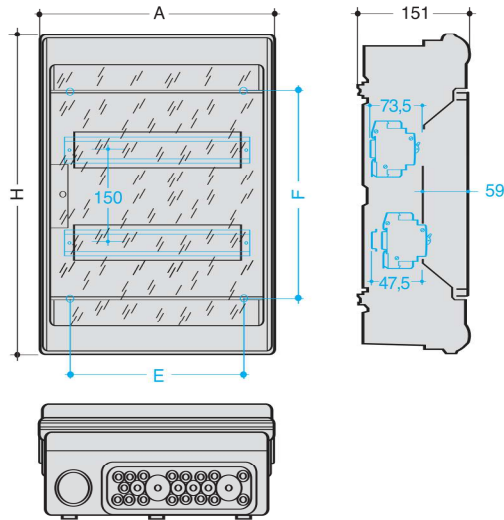


IEC 60 695-2-10 and 60 695-2-11: 850°C

Designation		Pack qty.	Cat. ref. 1 terminal
 VE106. <p><b>1 row 2 + 1 ■</b> w. 111 x h. 175 x d. 93 mm</p>	E : 2x16 + 2x10 mm <sup>2</sup> supplied cable bushes 3xM20	1	<b>VE103F</b>
<p><b>1 row, 4 + 2 ■</b> w. 165 x h. 190 x d. 113 mm</p>	E : 3x16 + 4x10 mm <sup>2</sup> supplied cable bushes 2xM20+2xM25+1xM32	1	<b>VE106F</b>
 VE312. <p><b>1 row, 8 + 2 ■</b> w. 237 x h. 210 x d. 114 mm</p>	E : 5x16 + 6x10 mm <sup>2</sup> supplied cable bushes 4xM20+2xM25+1xM32	1	<b>VE110F</b>
<p><b>1 row, 12 ■</b> w. 310 x h. 302 x d. 151 mm</p>	E : 1x25 + 5x16 + 7x10 mm <sup>2</sup> supplied cable bushes 10xM20+2xM25+1xM32	1	<b>VE112F</b>
<p><b>2 rows, 24 ■</b> w. 310 x h. 427 x d. 151 mm</p>	E : 1x25 + 7x16 + 9x10 mm <sup>2</sup> supplied cable bushes 14xM20+4xM25+1xM32	1	<b>VE212F</b>
<p><b>3 rows, 36 ■</b> w. 310 x h. 552 x d. 151 mm</p>	E : 1x25 + 10x16 + 11x10 mm <sup>2</sup> supplied cable bushes 14xM20+10xM25+2xM32	1	<b>VE312F</b>
<p><b>4 rows, 48 ■</b> w. 310 x h. 677 x d. 151 mm</p>	E : 1x25 + 11x16 + 13x10 mm <sup>2</sup> supplied cable bushes 14xM20+10xM25+2xM32	1	<b>VE412F</b>
 VE218. <p><b>1 row, 18 ■</b> w. 418 x h. 302 x d. 151 mm</p>	E : 1x25 + 7x16 + 9x10 mm <sup>2</sup> supplied cable bushes 8xM20+10xM25+1xM32	1	<b>VE118F</b>
<p><b>2 rows, 36 ■</b> w. 418 x h. 452 x d. 151 mm</p>	E : 1x25 + 10x16 + 11x10 mm <sup>2</sup> supplied cable bushes 8xM20+14xM25+1xM32	1	<b>VE218F</b>
<p><b>3 rows, 54 ■</b> w. 418 x h. 602 x d. 151 mm</p>	E : 1x (1x25 + 11x16 + 13x10 mm <sup>2</sup> ) +1x(1x25 + 2x16 + 2x10 mm <sup>2</sup> ) supplied cable bushes 8xM20+18xM25+2xM32	1	<b>VE318F</b>

	Designation	Characteristics	Nr of modules	Pack qty.	Cat. ref.
 VZ403	<b>Single phase connection assembly 63A</b>	2x(3x16 + 4x10 mm <sup>2</sup> )		1	<b>VZ403</b>
 VZ428	<b>Three phase + N connection assembly 63A</b>	3x(3x16 + 2x10 mm <sup>2</sup> ) 1x(5x16 + 6x10 mm <sup>2</sup> )		1	<b>VZ428</b>
 VZ311	<b>Lock with 2 keys</b>	for all enclosures from 2 to 54 ■		1	<b>VZ311</b>
	<b>Coupling sleeve</b> to juxtapose enclosures  reduction of degree of protection to IP54	fit on lateral PG21 knock outs of the enclosures VE112, VE212, VE312, VE412, VE118, VE218 and VE318		1 set	<b>VZ754</b>
 VZ754	<b>Cable entry</b> reduction of degree of protection IP54	14xM20 + 10xM25 + 2xM32		1	<b>VZ758</b>
	<b>Blanking strips</b>	RAL 7035	6 ■ 12 ■ 18 ■		<b>VZ413</b> <b>VZ415</b> <b>VZ416</b>

**VE212F - 2 rangées 24**

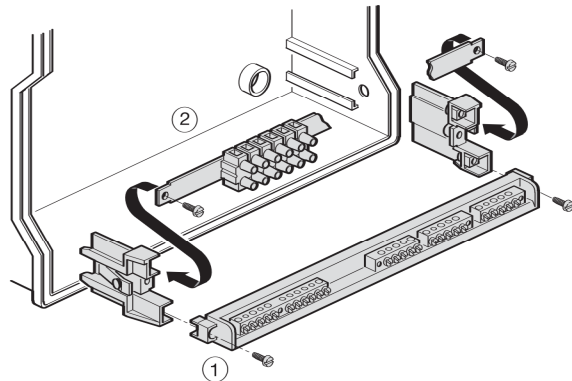


**Dimensions in mm**

Ref.	R	enclosure dimension		fixing centres	
		A	H	E	F
VE103F	3	111	175	-	147
VE106F	6	165	190	108	158
VE110F	10	237	210	180	173
VE112F	12	310	302	230	155
VE212F	24	310	427	230	280
VE312F	36	310	552	230	405
VE412F	48	310	677	230	550
VE118F	18	418	302	338	155
VE218F	36	418	452	338	305
VE318F	54	418	602	338	455

**Connection assembly**

mounting on insulating support at both end of the chassis  
 additional connection assembly : VZ403 or VZ428



Ref.	knock outs	side mounted
VE103F	2 x M20	-
VE106F	1 x M20 + 1 x M25 + 1 x M20/32	2 x 16
VE110F	1 x M20/32 + 1 x M25 + 3 x M20	2 x 16
VE112F	2 x M20/32/40 + 2 x M25/32 + 3 x M25 + 6 x M20	2 x 21
VE212F	1 x M20/40/50 + 2 x M20/32 + 12 x M25 + 2 x M20	2 x 21
VE312F	2 x M20/32/40 + 2 x M25/32 + 3 x M25 + 6 x M20	3 x 21
VE412F	1 x M20/40/50 + 2 x M20/32 + 12 x M25 + 2 x M20	3 x 21
VE118F	2 x M20/32/40 + 2 x M25/32 + 3 x M25 + 6 x M20	4 x 21
VE218F	1 x M20/40/50 + 2 x M20/32 + 12 x M25 + 2 x M20	4 x 21
VE318F	2 x M20/32/40 + 2 x M25/32 + 3 x M25 + 6 x M20	5 x 21